

5" Diameter Stock Motors

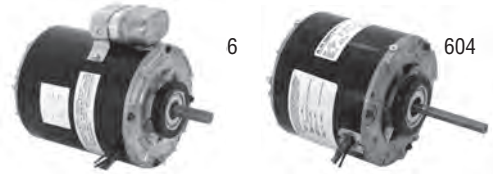
Refrigeration - Unit Heaters - Space Heaters, GE 21/29 Frame Replacements - Mechanically Reversible

Features:

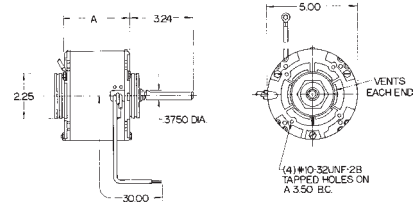
- Air Conditioners
- Base Mounting Available
- Commercial Condenser Units
- Continuous Duty, Air Over
- Designed for Easy Mechanical Reversing
- Drain Holes
- Extra Long 30" Leads
- Fits G.E. Base
- Mounting Rings Included
- Lead Exit on Shaft End
- For 1/2" Shaft Applications use Stock No 1306 Shaft Bushing
- Holes Provided for Conduit Connector
- Refrigeration Cabinets
- Replaces Most G.E. 21/29 Frame Motors
- Replaces Universal Stock 401-406
- Shaded Pole
- Sleeve Bearing



**STOCK NO. 2087A
MOUNTING STUDS**
10-32 X 1"
4 per set
(available separately)



- Thermally Protected
- Unit Cooler Fans & Blowers
- Unit Heaters
- 2-1/4" Mounting Rings Included
- 4 Tapped 10-32 Holes for Shaft End Mounting
- 60 Hz



HP	RPM	Speeds	Volts	Amps	Stock Number	Shaft Dia. & Length	Rotation	"A" Dim.	Cross Reference	Base Number	Notes
1/20	1050	1	115/230	2.8/1.4	604	3/8 x 3-1/4	CWSE	4-1/4	2321 & 2322	1207	103
1/20	1550	1	115/230	2.4/1.2	610	3/8 x 3-1/4	CWSE	4-1/4	2341 & 2342	1207	103
1/20	1550	1	115/230	2.4/1.2	611	3/8 x 3-1/4	CCWSE	4-1/4	2331 & 2332	1207	103
1/15	1050	1	115/230	3.8/1.9	606	3/8 x 3-1/4	CWSE	4-1/2	2223		103
1/15	1550	1	115/208-230	2.8/1.4	612A	3/8 x 3-1/4	CWSE	4-1/2	2241 & 2242		103
1/15	1550	1	115/208-230	2.8/1.4	613A	3/8 x 3-1/4	CCWSE	4-1/2	2231 & 2232		103
1/12	1050	1	115	1.8	9667	3/8 x 2	Rev.	5-3/4	2928		6,70,118
1/12	1050	1	208-230	0.61	9669	3/8 x 2	Rev.	5-3/4	2954		6,70,118
1/12	1550	1	115	1.6	9666	3/8 x 2	Rev.	5-3/4	2927		6,70,118
1/12	1550	1	208-230	0.65	9668	3/8 x 2	Rev.	5-3/4	2953		6,70,118
1/10	1050	1	115/230	4.6/2.3	608	3/8 x 3-1/4	CWSE	4-3/4	2121 & 2122	2089	103
1/10	1050	1	115/230	4.6/2.3	609	3/8 x 3-1/4	CCWSE	4-3/4	2113	2089	103
1/10	1550	1	115/230	4.4/2.2	614	3/8 x 3-1/4	CWSE	4-3/4	2141 & 2142	2089	103
1/10	1550	1	115/230	4.4/2.2	615	3/8 x 3-1/4	CCWSE	4-3/4	2131 & 2132	2089	103

Used on many popular commercial condensing units (Copeland, Tecumseh, Hussmann, Tyler, etc.) as well as unit cooler fans and blowers, refrigeration cabinets; also used on unit heaters, space heaters, remote air conditioners, blower units and other air moving applications. 4 ratings replace 21 of G.E.'s 21/29 frame designs.

Features:

- All angle sleeve bearings
- Auto protector
- Base and mounting clamps included
- Grommeted lead exit
- Mounting rings included
- Mechanically reversible in the field
- Open enclosure
- Shaded pole
- UL and C.S.A. approved
- Lead exit on shaft end
- 3/8" shaft diameter, 1/2" adapter
- 2-1/4" rubber rings; base mounting
- 30" color coded leads
- 42 Frame (5.0" Dia.)
- 60 HZ

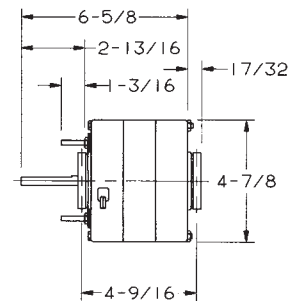


HP	RPM	Voltage	Amps	Frame	Stock Number	Rotation	Notes
1/10	1050	115/208-230	4.0/2.0	42Y	RF6402	CWSE	6,154
1/10	1050	115/208-230	4.0/2.0	42Y	RF6403	CCWSE	6,154
1/10	1550	115/208-230	4.0/2.0	42Y	RF4400	CWSE	6,154
1/10	1550	115/208-230	4.0/2.0	42Y	RF4401	CCWSE	6,154

Notes:

- 6. 60/50 HZ
 - 70. Permanent Split Capacitor
 - 103. When using U.E. Base, add (2) 1221A Adapter Rings to EACH Mounting Ring
- Also see page 35 for G.E. 11 Frame Replacements

- 118. TEAO
- 154. Previous stock numbers with "X" suffix are as current models



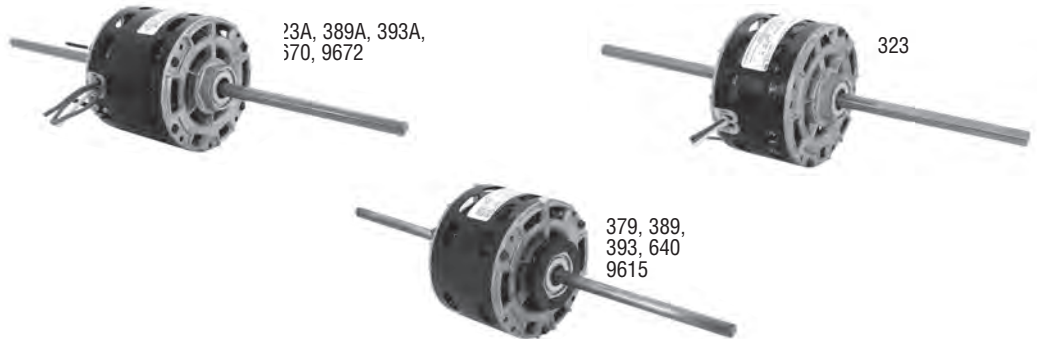
4 mounting bolts 3-1/2 dia. B.C.
(Mounting Washers and Nuts Included)

5" Diameter Double Shaft Fan/Blower Motors Less Base

Fan Coils - Dual Wheel Blower

Features:

- Auto Protector
- 1/2" Dia. - Flatted Shafts
- 42 Frame (5.0 Dia.)
- 60 HZ only
- Open Construction
- 2-1/2" Dia. Rings
- Sleeve Bearing
- Shaded Pole
- 40° C Ambient



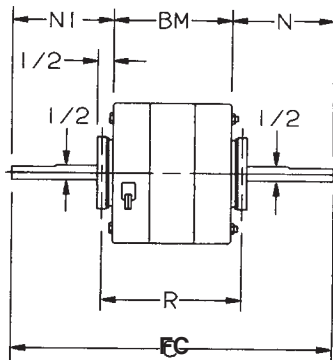
HP	RPM	Speeds	Volts	Amps	Stock Number	Rotation	Dim. Ref.	Notes
SHADED POLE								
1/20~1/40~1/50	1050	3	115	2.6-1.5-1.0	9615	CWLE	6	7,47
1/20~1/40~1/50	1050	3	115	2.6-1.5-1.0	640	CWLE	6	7
1/15~1/20~1/30~1/50	1050	4	115	2.4-1.6-1.1-0.8	389	CWLE	7	7
1/15~1/20~1/30~1/50	1050	4	115	2.4-1.6-1.1-0.8	389A	CCWLE	1	6,24
1/15~1/20~1/30~1/50	1050	4	115	2.4-1.6-1.1-0.8	393	CWLE	8	6,7,47
1/15~1/20~1/30~1/50	1050	4	115	2.4-1.6-1.1-0.8	393A	CCWLE	2	6,24,47
1/15~1/25~1/40	1050	3	208-230	1.3-0.7-0.5	9670	CCWLE	3	6,24
1/12~1/15~1/20	1050	3	115	4.0-2.7-2.3	9672	CCWLE	5	24
1/12~1/15~1/20	1050	3	277	1.1-.80-.60	379	CCWLE	9	7
1/12~1/20~1/30	1550	3	115	3.2-1.8-1.3	323	CWLE	10	75
1/12~1/20~1/30	1550	3	115	3.2-1.8-1.3	323A	CCWLE	4	24

Notes:

- 6. 60/50 HZ
- 7. Resilient mounting, rings included
- 24. Mounting accessories packaged with motor
- 47. 3/8" Shaft
- 75. Mounting rings not included

Approximate Dimensions

Ref.	BM	R	FC	N1	N
1	3-1/2	4 - 5	25	10-1/2	11
2	3-1/2	4 - 5-1/8	20-1/2	8-1/2	8-1/2
3	3-1/4	3-3/4 - 4-3/4	24-3/4	10-1/2	11
4	3-1/4	3-3/4 - 4-3/4	17	6-7/8	6-7/8
5	3-1/4	3-3/4 - 4-3/4	20	8-1/4	8-1/4
6	3	3-1/2	17-5/8	7-5/16	7-5/16
7	3-1/2	4	24-7/8	10-11/16	10-11/16
8	3-1/2	4	19-7/8	8-3/16	8-3/16
9	3-1/2	4	17-3/4	7-1/8	7-1/8
10	3-1/4		17	6-7/8	6-7/8

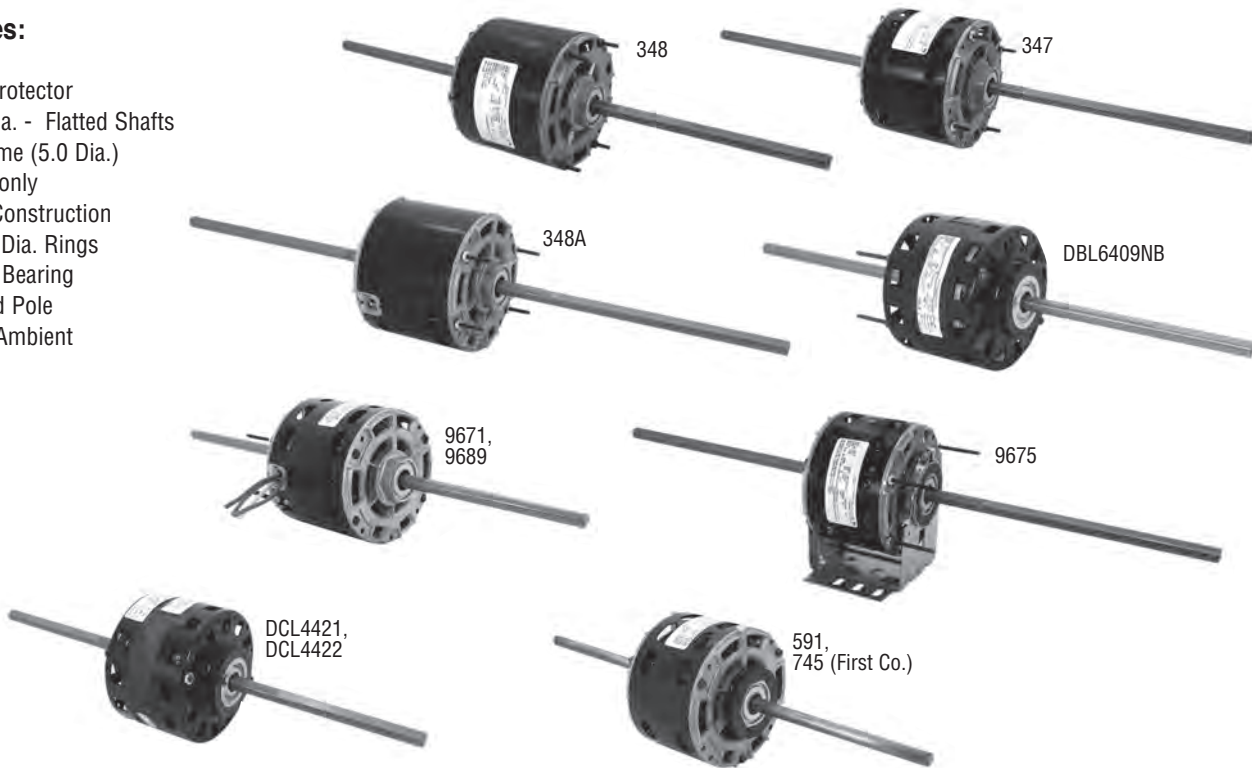


5" Diameter Double Shaft Fan/Blower Motors Less Base

Fan Coils - Dual Wheel Blower

Features:

- Auto Protector
- 1/2" Dia. - Flatted Shafts
- 42 Frame (5.0 Dia.)
- 60 HZ only
- Open Construction
- 2-1/2" Dia. Rings
- Sleeve Bearing
- Shaded Pole
- 40° C Ambient



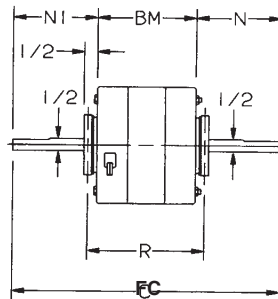
HP	RPM	Speeds	Volts	Amps	Stock Number	Rotation	Dim. Ref.	Notes
SHADED POLE								
1/10~1/20~1/30	1050	3	115	3.0-1.9-1.4	591	CWLE	8	6,7
1/10~1/15~1/20~1/25~1/30	1050	5	115	3.5-2.8-2.2-1.9-1.6	DBL6409NB	CCWLE	1	24,349
1/10~1/12~1/15~1/20~1/25	1000	5	208-230	2.3-1.7-1.3-1.2-1.1	9689	CCWLE	7	24
1/10~1/15~1/25	1550	3	115	3.5	DCL4421	CCWLE	2	7,263
1/8~1/10~1/12	1500	3	115	5.5-4.8-3.0	9671	CCWLE	9	6,24,47
1/8~1/12~1/20~1/30	1550	4	115	3.3-2.3-1.7-1.2	347	CWLE	4	
1/8~1/12~1/20~1/30	1550	4	115	3.3-2.3-1.7-1.2	9675	CCWLE	4	81
1/6~1/8~1/10	1050	3	230	2.9-2.1-1.6	348	CCWLE	5	
1/6~1/8~1/10	1050	3	230	2.9-2.1-1.6	348A	CCWLE	10	24
1/6~1/10~1/12~1/15	1550	4	115	4.0	DCL4422	CCWLE	3	7,32
1/6~1/8~1/10~1/12	1550	4	120	5.0-3.3-2.9-2.4	745	CCWLE	6	3,7

Notes:

- 3. Special OEM Replacement Motor (see pages 94-132)
- 6. 60/50 HZ
- 7. Resilient mounting, rings included
- 24. Mounting accessories packaged with motor
- 32. 24" leads (minimum)
- 47. 3/8" Shaft
- 81. Includes base
- 263. 53" leads
- 349. 2-1/4" mounting rings

Approximate Dimensions

Ref.	BM	R	FC	N1	N
1	3-3/8	3-7/8 - 4-7/8	24	10-1/4	10-3/8
2	3-5/16	4-1/16	18	7-5/16	7-5/16
3	3-7/8	4-9/16	18-1/4	7-3/16	7-3/16
4	4		23-3/4	9-7/8	9-7/8
5	4-1/4		21-1/4	8-1/2	8-1/2
6	4-1/4	4-3/4	19-1/2	7-5/8	7-5/8
7	3-1/2	4 - 5-1/8	25-1/2	11	11
8	3-1/2	4	24-7/8	10-11/16	10-11/16
9	4	4-1/2 - 5-1/2	20-3/4	8-3/8	8-3/8
10	4-1/4	4-3/4 - 5-3/4	25-1/4	10-1/2	10-1/2

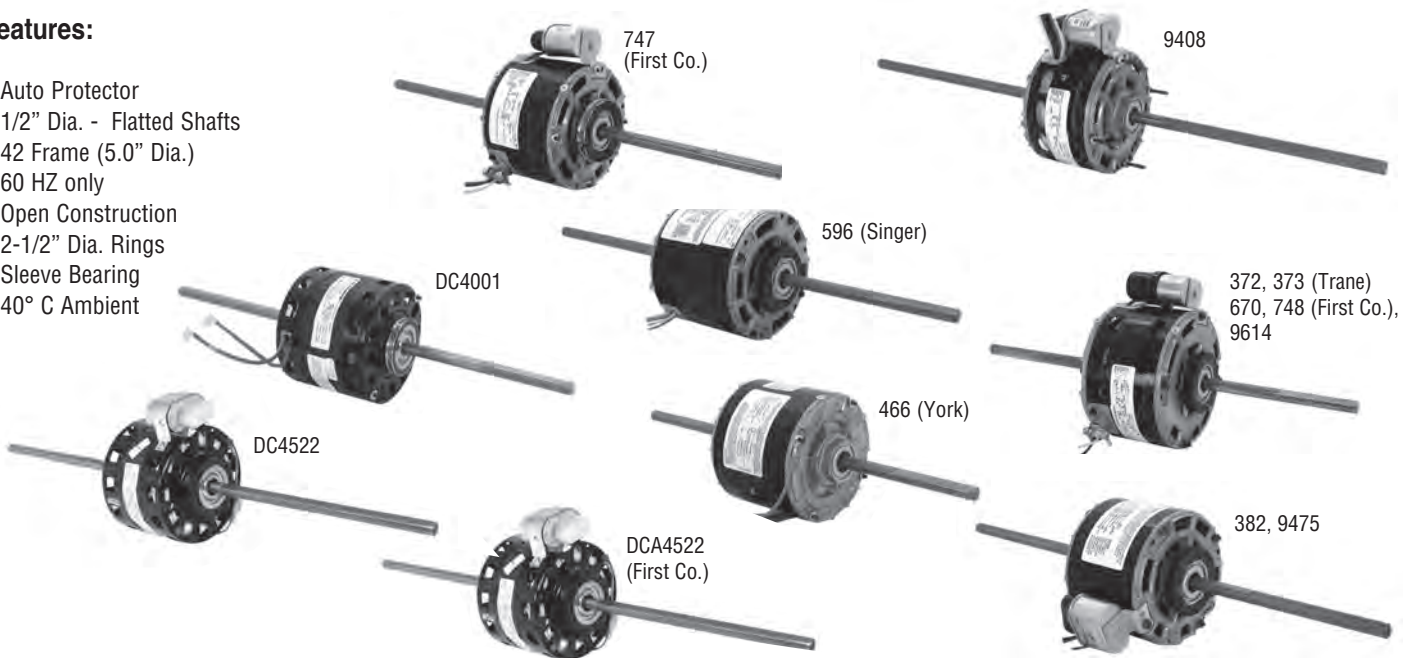


5" Diameter Double Shaft Fan/Blower Motors Less Base

Fan Coils - Dual Wheel Blower

Features:

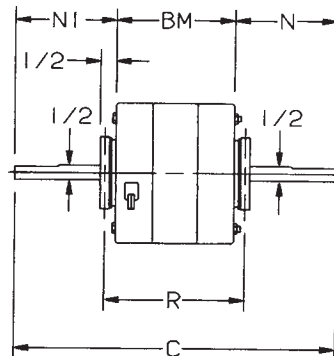
- Auto Protector
- 1/2" Dia. - Flatted Shafts
- 42 Frame (5.0" Dia.)
- 60 HZ only
- Open Construction
- 2-1/2" Dia. Rings
- Sleeve Bearing
- 40° C Ambient



HP	RPM	Speeds	Volts	Amps	Stock Number	Rotation	Capacitor	Dim. Ref.	Notes
PERMANENT SPLIT CAPACITOR									
1/30	1100	2	115	.60/.64	373	CWLE	Included	1	3,7
1/25	1060	2	115	.60/.64	372	CWLE	Included	2	3,7
1/25~1/40~1/50	1625	3	115	.73-.49-.37	382	CWLE	Included	3	7
1/8~1/12~1/14	1075	3	277	.83-.59-.49	596	CCWLE	5MFD-370V	7	3,7
1/8~1/10~1/15~1/20	1550	4	115	2.1-1.6-1.3-.9	9408	CWLE	Included	8	75
1/6~1/10~1/20	1075	3	115	2.7-1.6-1.0	670	CWLE	Included	9	7
1/6~1/8~1/10~1/12	1550	4	120	3.7-1.9-1.7-1.4	748	CCWLE	Included	11	3,7
1/6~1/8~1/12	1550	3	230	1.0-.7-.5	9475	CCWLE	Included	12	6
1/5~1/10	1550	2	208-230	2.8	DC4522	CCWLE	Included	5	7,94
1/5~1/10	1550	2	208-230	2.8-1.3	9614	CCWLE	Included	12	7
1/5	1550	3	208-230	1.9	DCA4522	CCWLE	Included	13	3,7
1/4~1/8	1075	2	208-230	1.4-1.2	466	CWLE	5MFD-370V	10	3,6,118
1/4~1/8	1625	2	208-230	2.0-0.8	747	CCWLE	Included	12	3,7
1/3	1625	1	208-230	2.3	DC4001	CCWLE	6MFD-370V	6	283,349

Notes:

- 3. Special OEM Replacement Motor (see pages 94-132)
- 6. 60/50 HZ
- 7. Resilient mounting, rings included
- 75. Mounting rings not included
- 94. 30" leads (minimum)
- 118. TEAO
- 283. 31" line leads, 5" capacitor leads
- 349. 2-1/4" mounting rings



Approximate Dimensions

Ref.	BM	R	FC	N1/N
1	4-1/4	4-13/16	25-1/4	10-1/2
2	3-1/2	4-1/16	25-1/2	11
3	3-1/2	4-1/16	16-3/4	6-5/8
4	4-1/16	4-13/16	20-11/16	8-5/16
5	3-9/16	4-5/16	24	10-3/16
6	4-1/8	4-13/16	18-1/2	7-3/16
7	3-1/2	4-11/16	21-1/2	9
8	3-1/4	3-3/4	24	10-3/8
9	4-1/4	4-3/4	20-3/4	8-1/4
10	4-1/14		16-1/2	6-1/8
11	3-1/2	4-1/16	19-3/4	8-1/8
12	3-3/4	4-5/16	19-1/2	7-7/8
13	3-7/8	4-5/8	17	6-5/8

5" Diameter Double Shaft Fan/Blower Motors

ECM Fan Coil Replacement Motor

Features:

- Drop-in replacement
- Single phase
- Brushless DC
- 5 1/8" diameter
- 54" lead length



CS89

Applications: Fan Coils, Air Conditioners, Blowers, Shaded Pole, PSC Retrofit, Trane, Carrier, Amana, GE, Fan Coil & PTAC Units.

HP	RPM	Speeds	Volts	Amps	Stock Number	Rotation	Shaft Dia. & Length	Notes
1/10	1100,900,700	3	120	1.5	CS89	CWLE	9.3 x 1/2" x 9.3	New!

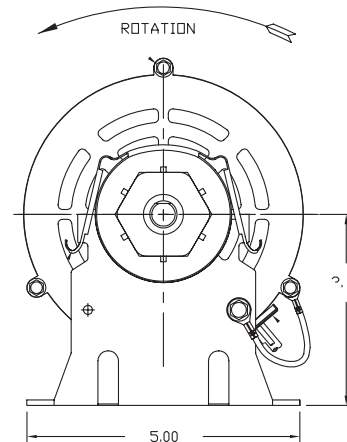
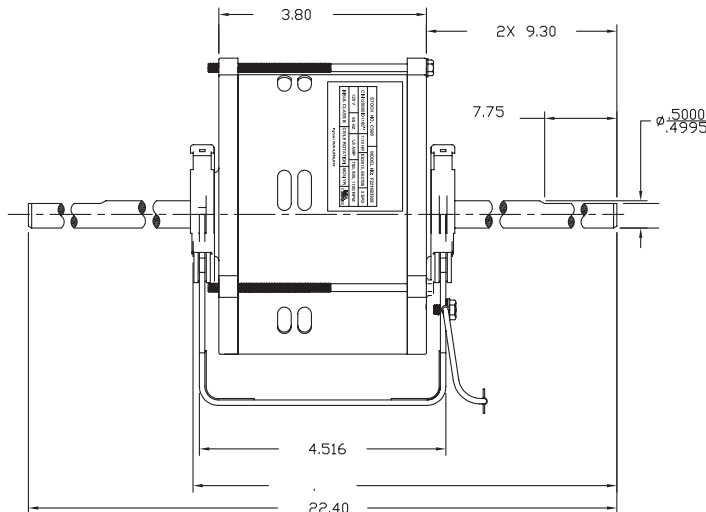
Energy Saving Comparison

Motor Reference	Amp	Volts	Input Watts	Hours of Operation	kWh Per Day	kWh Per Year	Cost Per kWh	Annual cost to operate	% kWh Saved	Annual Savings
Shaded Pole	3.07	120	197.00	8	1.58	575.24	\$0.10	\$57.52		
CS89 High	1.56	120	94.00	8	0.75	274.48	\$0.10	\$27.45	52%	\$30.08
Shaded Pole	2.61	120	188.50	8	1.51	550.42	\$0.10	\$55.04		
CS89 MED	0.86	120	49.00	8	0.39	143.08	\$0.10	\$14.31	74%	\$40.73
Shaded Pole	2.14	120	151.90	8	1.22	443.55	\$0.10	\$44.35		
CS89 LOW	0.55	120	30.00	8	0.24	87.60	\$0.10	\$8.76	80%	\$35.59

kWh= KiloWatt hours

Average Annual Savings: | 69% | \$106.40

Total Building Savings	Single Unit Savings	(X)	Number of Units	(=)
CS89 Replacing Shaded Pole	\$106.40		95	\$10,108.46

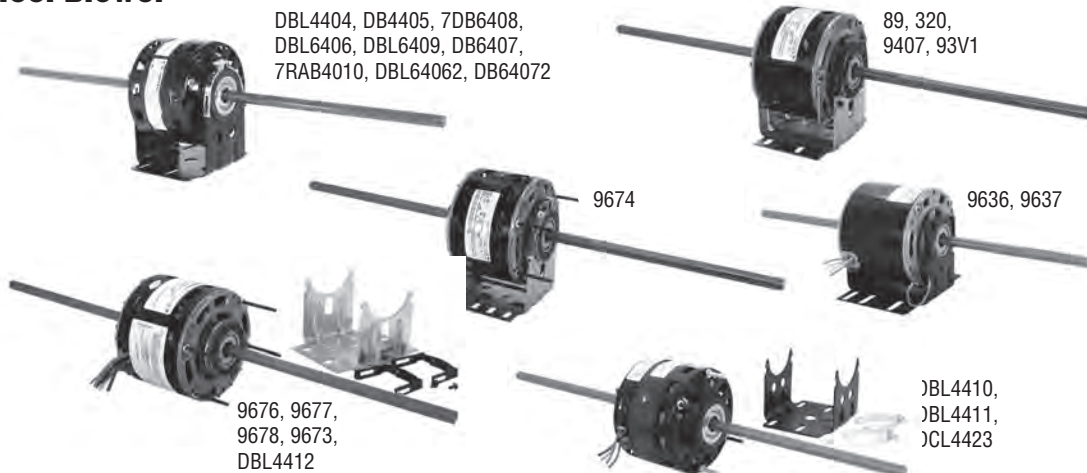


5" Diameter Double Shaft Fan/Blower Motors Resilient Base

Fan Coils - Dual Wheel Blower

Features:

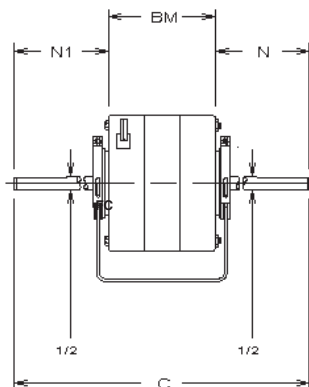
- Auto Protector
- Continuous Air Over
- Open Construction
- Resilient Base
- Sleeve Bearing
- 1/2" Dia.- Flatted Shafts
- 40° C Ambient
- 3-1/2" Shaft Height
- 60 HZ only
- 42 Frame (5.0" Dia.)



HP	RPM	Speeds	Volts	Amps	Stock Number	Rotation	Dim. Ref.	Notes
SHADED POLE								
1/35~1/60~1/100~1/150	1050	4	115	2.0-1.1-.88-.67	9673	CCWLE	12	24
1/15~1/20~1/30~1/50	1050	4	115	2.4-1.6-1.1-0.8	9674	CWLE	6	6,47
1/15~1/25~1/40	1050	3	208-230	1.3-.71-.50	320	CWLE	5	6
1/10~1/15	1050	2	115	3.7-2.6	DBL64062	CCWLE	9	294
1/10~1/15~1/20~1/25	1050	4	115	3.4-2.0-1.7-1.5	DBL6406	CCWLE	2	
1/10~1/15~1/20~1/25~1/30	1050	5	115	3.5-2.8-2.2-1.9-1.6	DBL6409	CCWLE	3	
1/10~1/20~1/30~1/40~1/70	1050	5	115	3.2-2.3-1.7-1.4-.96	93V1	CWLE	8	47,150
1/10~1/20~1/30~1/40~1/70	1050	5	115	3.2-2.3-1.7-1.4-.96	89	CWLE	7	6
1/10~1/15	1050	2	208-230	1.9	DB64072	CCWLE	1	294
1/10~1/15~1/20~1/25	1050	4	208-230	1.6-0.9-0.8-0.7	DB6407	CCWLE	1	
1/10~1/15~1/20~1/25	1050	4	277	1.3-0.8-.07-.06	7DB6408	CCWLE	1	
1/10~1/15~1/20~1/25	1050	4	277	1.6-1.1-.83-.74	7RAB4010	CCWLE	11	288,294
1/10~1/15~1/20	1550	3	115	3.5-1.7-1.4	DBL4404	CCWLE	1	
1/10~1/15~1/20	1550	3	115	4.0-2.5-1.7	9407	CCWLE	4	
1/10~1/12~1/20~1/25	1550	4	115	3.5-2.6-1.9-1.6	DBL4410	CCWLE	1	24
1/10~1/12~1/20~1/25	1550	4	115	3.5-2.6-1.9-1.6	DBL4411	CCWLE	1	24,47
1/10~1/15~1/20	1550	3	230	1.8-0.9-0.7	DB4405	CCWLE	2	
1/10~1/12~1/15~1/20	1550	4	208-230	2.1-1.5-1.2-1.0	DBL4412	CCWLE	13	24,47
1/8~1/12~1/15~1/20	1050	4	115	4.4-3.0-2.3-2.1	9676	CCWLE	14	24
1/6~1/8	1050	2	115	5.8-3.6	9636	CCWLE	10	
1/6~1/10~1/12~1/15	1050	4	115	8.6-4.2-3.1-2.6	9677	CCWLE	10	24
1/6	1050	2	230	2.9	9637	CCWLE	10	
1/6~1/10~1/12~1/15	1550	4	115	4.0-2.4-1.9-1.6	DCL4423	CCWLE	13	24
1/4~1/8~1/10~1/12	1050	4	115	8.5-4.7-3.8-3.4	9678	CCWLE	15	24

Notes:

- 6. 60/50 HZ
- 24. Mounting accessories packaged with motor
- 47. 3/8" dia. shaft
- 150. Rated 50/60 HZ
- 288. 26" leads (minimum)
- 294. 2.6" shaft height



Approximate Dimensions

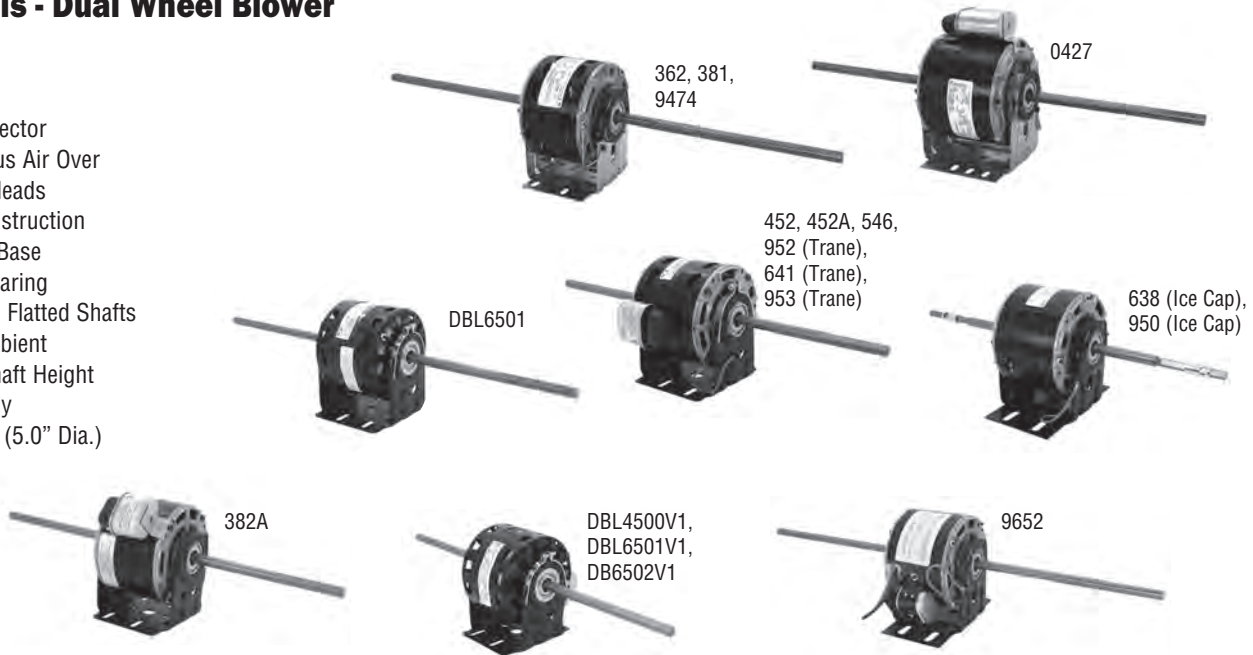
Ref.	BM	FC	N1/N
1	3-3/8	22	9-5/16
2	3-3/8	24	10-5/16
3	3-3/8	24	10-5/16
4	3-3/4	22-1/2	9-3/8
5	3-1/4	20-7/8	8-7/8
6	3-1/2	19-7/8	8-3/16
7	3-1/2	24-7/8	10-11/16
8	3-1/2	23-1/2	10
9	3-3/8	24	9-3/4
10	4-1/4	21-1/4	8-1/2
11	3-13/16	21-1/2	8-13/16
12	3-3/4	20-3/4	8-1/2
13	4	21	8-1/2
14	4	25	10-1/2
15	5-1/4	22-3/4	8-3/4

5" Diameter Double Shaft Fan/Blower Motors Resilient Base

Fan Coils - Dual Wheel Blower

Features:

- Auto Protector
- Continuous Air Over
- Min. 36" leads
- Open Construction
- Resilient Base
- Sleeve Bearing
- 1/2" Dia. - Flatted Shafts
- 40° C Ambient
- 3-1/2" Shaft Height
- 60 HZ only
- 42 Frame (5.0" Dia.)



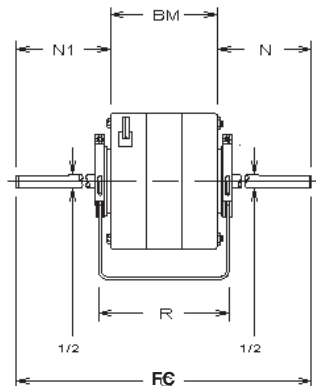
HP	RPM	Speeds	Volts	Amps	Stock Number	Rotation	Capacitor	Dim. Ref.	Notes
PERMANENT SPLIT CAPACITOR									
1/30~1/100~1/200	1100	3	115	.74-.31-.22	952	CWLE	Included	3	3
1/30~1/60~1/125	1075	3	115	.5-.4-.3	641	CWLE	Included	7	3,198
1/25~1/40~1/50	1625	3	115	.73-.49-.37	382A	CWLE	Included	4	
1/20~1/30~1/50~1/75	1075	4	115	.78-.55-.36-.27	546	CWLE	Included	6	
1/20~1/25~1/35~1/50	1075	4	115	.8-.62-.45-.38	452	CWLE	Included	6	47
1/20~1/25~1/35~1/50	1075	4	115	.80-.62-.45-.38	452A	CWLE	Included	4	
1/20~1/30	1320	2	277	.48-.38	0427	CCWLE	Included	8	
1/15~1/45~1/60	1100	3	115	.8-.5-.35	953	CWLE	Included	9	3
1/15~1/20~1/25~1/35	1075	4	115	1.2-.8-.7-.6	9474	CCWLE	5MFD-370V	10	32
1/10~1/15~1/25~1/35	1075	4	115	1.7-1.3-.85-.62	362	CWLE	5MFD-370V	6	
1/10~1/12~1/15~1/20	1075	4	115	1.7-1.6-0.9-0.8	DBL6501	CCWLE	5MFD-370V	2	
1/10~1/12~1/15~1/20	1075	4	115	1.7-1.6-0.9-0.8	DBL6501V1	CCWLE	Included	1	
1/10~1/15~1/20	1075	3	208-230	.81-.56-.44	381	CWLE	5MFD-370V	6	
1/10~1/15~1/20~1/25	1075	4	208-230	0.7-0.5-0.4-0.3	DB6502V1	CCWLE	Included	1	
1/10~1/20~1/35	1695	3	115	.87-.7-.5	638	CWLE	4MFD-370V	11	3,47,284
1/10~1/12~1/15	1625	3	115	1.3-1.0-.7	DBL4500V1	CCWLE	Included	1	
1/10~1/20~1/35	1500	3	208-230	.7-.5-.4	950	CWLE	4MFD-370V	11	3,284
1/10~1/20~1/35	1500	3	208-230	.7-.5-.4	9652	CCWLE	Included	5	284

Notes:

- 3. Special OEM Replacement Motor (see pages 94-132)
- 32. 24" leads
- 47. 3/8" dia. shaft
- 198. Impedance protected
- 284. 31" leads

Continues on next page

Approximate Dimensions



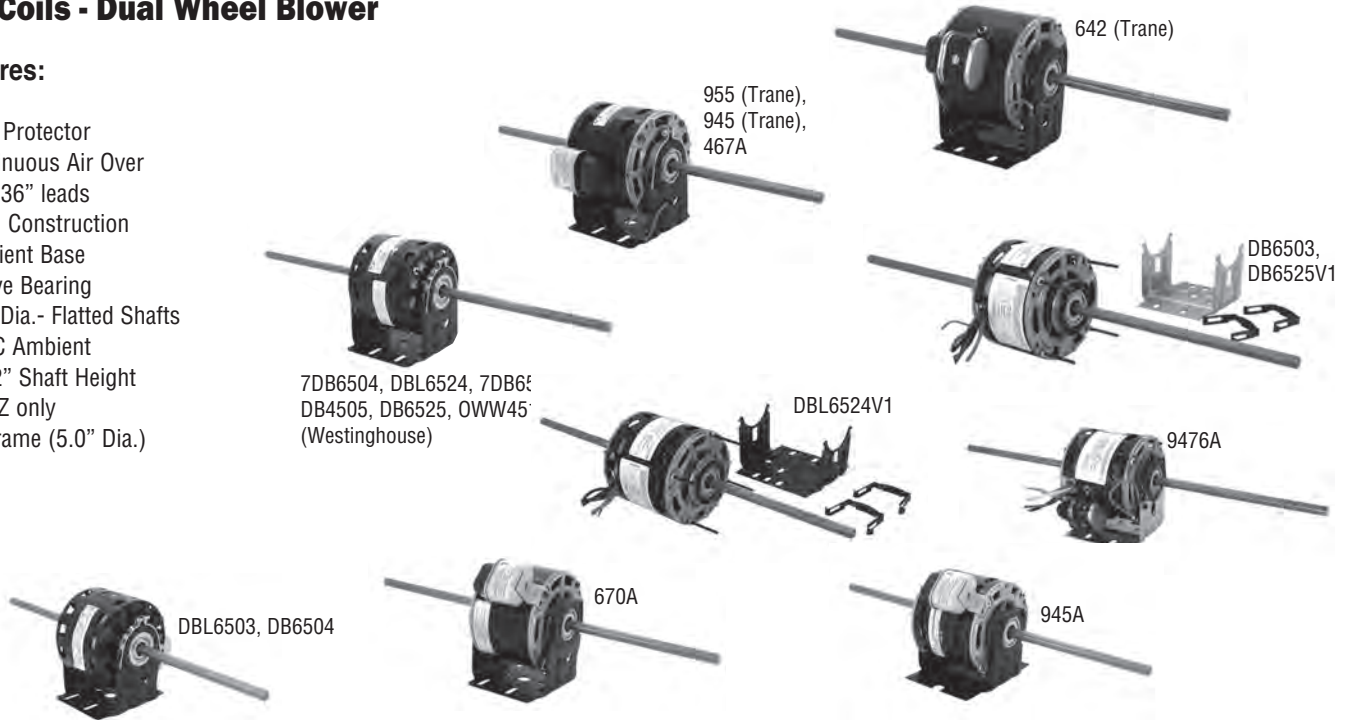
Ref.	BM	R	FC	N1	N
1	3-3/8	4-1/8	22	9-5/16	9-5/16
2	3-3/8	4-1/8	24	10-5/16	10-5/16
3	3-1/4	3-3/4	21	8-1/2	9-1/8
4	3-1/2	4	23	9-3/4	9-3/4
5	3-3/4	4-1/2	23-1/4	9-3/4	9-3/4
6	3-1/2	4	24-7/8	10-11/16	10-11/16
7	3-1/2	4	21	9	8-1/2
8	4-1/4	4-3/4	21	8-3/8	8-3/8
9	3-3/4	4-1/4	25-3/8	10-3/4	10-15/16
10	3-3/4	4-1/4	25-3/4	11	11
11	3-3/4	4-1/4	16-3/4	6-1/2	6-1/2

5" Diameter Double Shaft Fan/Blower Motors Resilient Base

Fan Coils - Dual Wheel Blower

Features:

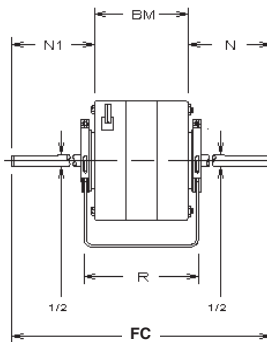
- Auto Protector
- Continuous Air Over
- Min. 36" leads
- Open Construction
- Resilient Base
- Sleeve Bearing
- 1/2" Dia. - Flatted Shafts
- 40° C Ambient
- 3-1/2" Shaft Height
- 60 HZ only
- 42 Frame (5.0" Dia.)



HP	RPM	Speeds	Volts	Amps	Stock Number	Rotation	Capacitor	Dim. Ref.	Notes
PERMANENT SPLIT CAPACITOR									
1/8~1/10~1/15	1075	3	115	2.4-1.4-.92	DBL6503	CCWLE	Included	12	302
1/8~1/10~1/12~1/15	1075	4	208-230	1.2-.81-.68-.55	DB6503	CCWLE	5MFD-370V	3	288
1/8~1/10~1/12	1075	3	277	0.8-0.7-0.5	7DB6503	CCWLE	5MFD-370V	1	
1/8~1/20~1/30	1500	3	115	1.2-.7-.4	945	CWLE	Included	13	3
1/8~1/20~1/30	1500	3	115	1.2-0.7-0.4	945A	CCWLE	Included	9	
1/6~1/10~1/20	1075	3	115	2.7-1.6-1.0	670A	CWLE	Included	11	
1/6~1/8~1/10	1075	3	208-230	1.4-1.2-.81	DB6504	CCWLE	Included	9	150,302
1/6~1/8~1/10	1075	3	277	0.9-0.7-0.5	7DB6504	CCWLE	5MFD-370V	1	
1/6~1/12~1/20	1500	3	115	2.0-1.1-.7	955	CWLE	Included	8	3
1/6~1/8~1/10~1/15	1625	4	115	2.2-1.6-1.1-0.9	9476A	CCWLE	Included	10	288
1/5~1/10~1/20	1500	3	230	1.5	DB4505	CCWLE	5MFD-370V	1	
1/5~1/8~1/10	1625	3	208-230	1.0-.76-.61	467A	CCWLE	Included	6	3
1/4~1/6~1/10	1050	3	115	5.6	DBL6524	CCWLE	7.5MFD-370V	4	
1/4~1/6~1/8~1/10	1075	4	115	4.1-2.7-2.2-1.8	DBL6524V1	CCWLE	7.5MFD-370V	2	288
1/4~1/6~1/10	1075	3	208-230	2.0	DB6525	CCWLE	7.5MFD-370V	4	
1/4~1/6~1/8~1/10	1075	4	208-230	1.6-1.2-.90-.71	DB6525V1	CCWLE	7.5MFD-370V	2	288
1/4~1/8~1/20	1475	3	277	1.1-1.0-0.7	642	CWLE	Included	7	3
1/3	1625	1	208-230	2.3	OWW4517	CCWLE	6MFD-370V	5	3,150,287

Notes:

- 3. Special OEM Replacement Motor (see pages 94-132)
- 150. Rated 50/60 HZ
- 287. 3" shaft height
- 288. 26" leads
- 302. 11" leads (minimum)



Approximate Dimensions

Ref.	BM	FC	N1	N
1	3-3/8	22	9-5/16	9-5/16
2	4-3/4	21-3/4	8-1/2	8-1/2
3	3-1/2	24-1/2	10-1/2	10-1/2
4	4-1/16	24	10	10
5	4-1/16	18-7/16	7-3/16	7-3/16
6	4	23-1/4	9-5/8	9-5/8
7	3-3/8	20	8	8
8	3-1/2	24-7/8	10-3/8	10-3/8
9	4	23-1/2	9-3/4	9-3/4
10	4-1/2	24	9-3/4	9-3/4
11	4-1/4	22-3/4	9-1/4	9-1/4
12	3-1/2	23-1/8	9-3/4	9-3/4
13	4	20-1/2	7-1/2	9

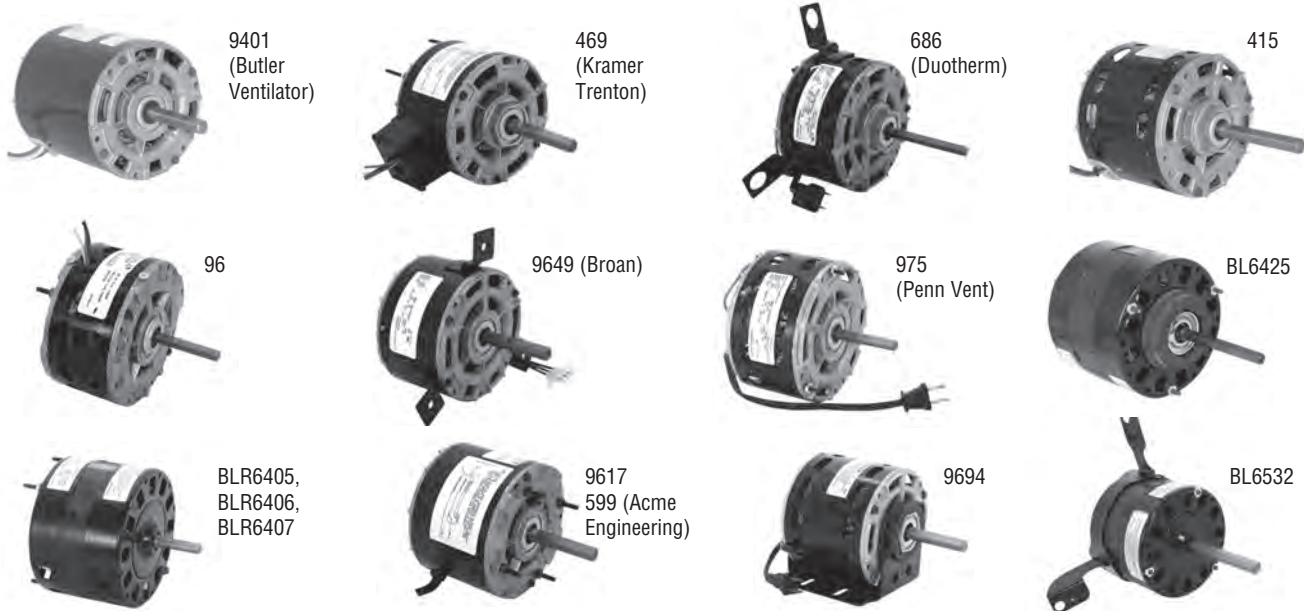
5" Diameter Single Shaft Open Fan/Blower Motors

Furnace Blowers - Attic Ventilators - Air Handlers - Fan Coils

Features:

- Continuous Duty, Air Over • Shaded Pole • 60 Hz • Auto Protector • 40°C Ambient

OEM replacement for: Intertherm, Triangle Engineering, Butler Ventimatic, Tuttle & Bailey, Leigh Products, Nutone, Kool-O-Matic, Luxaire, Duotherm, Lennox, Coleman, Lear Siegler, Bryant, Janitrol, Westinghouse, American Standard, Miller, Johnson, Preway, etc.



HP	RPM	Speeds	Volts	Amps	Stock Number	Bearings	Rotation	Dim. Ref.	Notes
1/20	1045	1	115	2.3	975	Sleeve	CCWLE	1	3,4,26,47
1/15	1000	1	115	3.2	686	Sleeve	CCWLE	2	3,4,47
1/15	1000	1	115	3.2	9694	Sleeve	CCWLE	10	81
1/15	1050	1	115	2.8	BLR6407	Sleeve	CCWLE	9	41,47,357
1/15~1/25	1050	2	115	3.5-1.8	BLR6405	Sleeve	CCWLE	9	41,47,357
1/15~1/30	1050	2	115	3.0-1.4	96	Sleeve	CCWLE	3	41,47,358
1/12	1050	1	115	2.9	9649	Sleeve	CCWLE	5	3,77
1/12	1050	1	115	2.5	415	Ball	CCWLE	4	41,47
1/12	1050	1	115/230	2.7/1.3	469	Sleeve	CCWLE	4	3,41,100,358
1/10	1050	1	115	3.4	9401	Sleeve	CCWLE	5	3,100
1/10	1050	1	115	4.3	9617	Sleeve	CCWLE	6	27,100,359
1/10	1050	1	115	4.0	BLR6406	Sleeve	CCWLE	12	41,47,357
1/10~1/12~1/15	1050	3	115	3.2	BL6425	Sleeve	CCWLE	8	22,26,47,58
1/10~1/12~1/15	1050	3	115	3.2-2.6-2.0	BL6532	Sleeve	CCWLE	11	
1/10~1/20~1/30	1550	3	115	3.0-1.7-1.0	599	Ball	CWLE	7	3,26,100,359

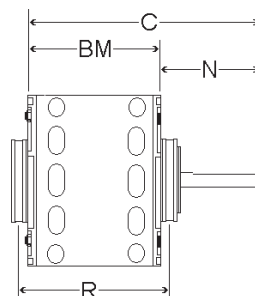
Notes:

- Special OEM Replacement Motor (see pages 94-132)
- Supplied with lead & plug assembly
- 3 thru bolts, 4.42 dia. bolt circle
- Extended thru bolts, shaft end only
- Extended thru bolts, both ends
- Extended thru bolts, lead end only
- 3/8" flattened shaft
- Supplied with resilient mounting rings
- Molex terminal plug
- Includes base
- 1/2" diameter shaft
- 4 thru bolts, on 4.42" dia. bolt circle
- 4 thru bolts, on 4.62" dia. bolt circle
- 4 studs with spacer and nut on a 3.87" dia. bolt circle

Continues on next page

Approximate Dimensions

Ref.	BM	C	N	R
1	3.00	5.25	2.25	
2	3.00	6.71	3.71	
3	2.75	5.09	2.34	
4	3.50	6.83	3.33	
5	3.25	5.96	2.71	
6	3.00	7.50	4.50	
7	3.75	6.34	2.59	
8	3.84	7.71	3.87	4.40
9	3.34	5.22	1.88	
10	3.50	7.21	3.71	
11	3.84	8.84	5.00	
12	3.84	6.00	1.88	



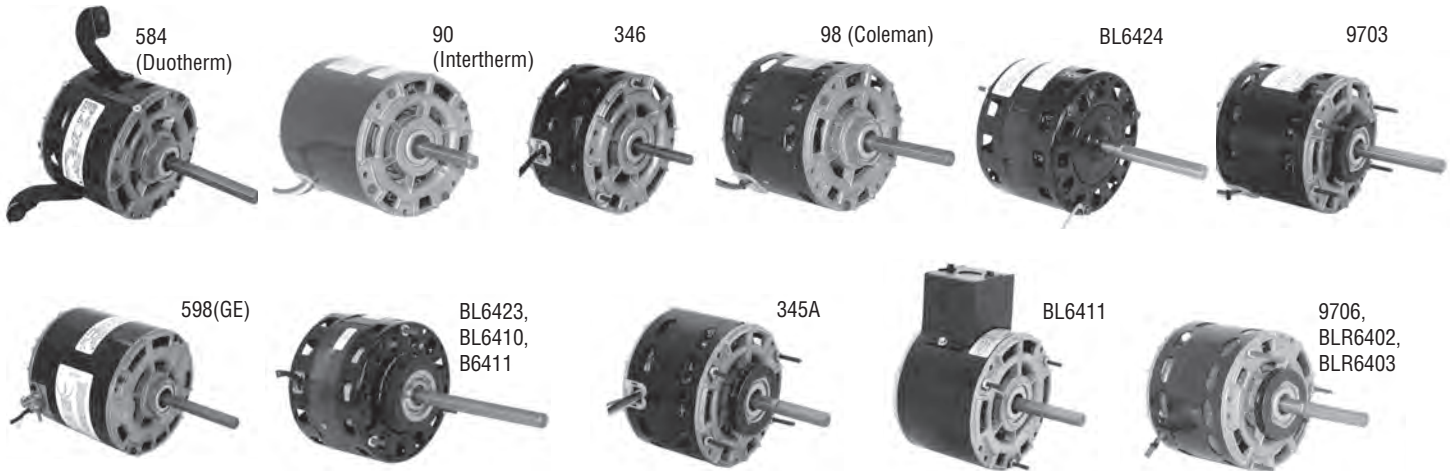
5" Diameter Single Shaft Open Fan/Blower Motors

Furnace Blowers - Attic Ventilators - Air Handlers - Fan Coils

Features:

- Continuous Duty, Air Over • Shaded Pole • 60 Hz • Auto Protector • 40°C Ambient • 1/2" Dia. Flatted Shaft

OEM replacement for: Intertherm, Triangle Engineering, Butler Ventimatic, Tuttle & Bailey, Leigh Products, Nutone, Kool-O-Matic, Luxaire, Duotherm, Lennox, Coleman, Lear Siegler, Bryant, Janitrol, Westinghouse, American Standard, Miller, Johnson, Preway, etc.



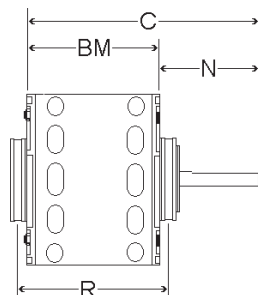
HP	RPM	Speeds	Volts	Amps	Stock Number	Bearings	Rotation	Dim. Ref.	Notes
1/8	1050	1	115	4.2	584	Sleeve	CCWLE	1	3
1/8	1050	1	115	5.2	BL6410	Sleeve	CCWLE	8	7,22,26
1/8	1050	1	115	5.2	BLR6403	Sleeve	CCWLE	8	7,22,26
1/8	1050	1	115	5.2	9706	Sleeve	CCWLE	10	7,26
1/8~1/11	1050	2	115	5.0	BL6423	Sleeve	CCWLE	6	7,26,57,347
1/8~1/11	1050	2	115	5.0	BL6424	Sleeve	CCWLE	7	22,41,57
1/8~1/10	1050	2	115	5.2-3.5	90	Sleeve	CCWLE	2	3,4
1/8~1/10	1050	2	115	4.8-3.3	346	Sleeve	CCWLE	3	57
1/8~1/10~1/12	1050	3	115	5.1-3.5-3.0	98	Sleeve	CCWLE	4	3,57
1/8~1/10~1/12	1050	3	115	5.1-3.5-3.0	9703	Sleeve	CCWLE	9	7,26
1/8	1050	1	208-230	2.6	B6411	Sleeve	CCWLE	8	7,22,26
1/8	1550	1	230	1.9	598	Sleeve	CCWLE	5	3
1/6	1000	1	115	5.7	BL6411	Sleeve	CCWLE	12	347
1/6	1050	1	115	5.5	BLR6402	Sleeve	CCWLE	11	7,26
1/6	1050	1	115	7.0	345A	Sleeve	CCWLE	13	7,26

Notes:

3. Special OEM Replacement Motor (see pages 94-132)
4. Supplied with Lead & Plug Assembly
7. Resilient mounting rings included
22. 3 thru Bolts, 4.42 dia. Bolt Circle
26. Extended thru bolts, shaft end only
41. Extended thru bolts, lead end only
57. Tapped holes for Coleman mount
347. 3 thru bolts, 4.62 dia. bolt circle

Continues on next page

Approximate Dimensions



Ref.	BM	C	N	R
1	3.75	7.83	4.08	
2	3.75	7.46	3.71	
3	4.00	8.46	4.46	
4	4.25	7.96	3.71	
5	4.25	7.33	3.08	
6	3.34	7.13	3.80	4.00
7	3.90	7.67	3.77	
8	3.34	8.88	5.54	3.88
9	4.25	7.96	3.71	4.81
10	4.25	8.75	4.50	4.81
11	3.84	7.92	3.54	4.58
12	4.00	6.50	2.50	
13	4.00	7.71	3.71	4.47

5" Diameter Single Shaft Open Fan/Blower Motors

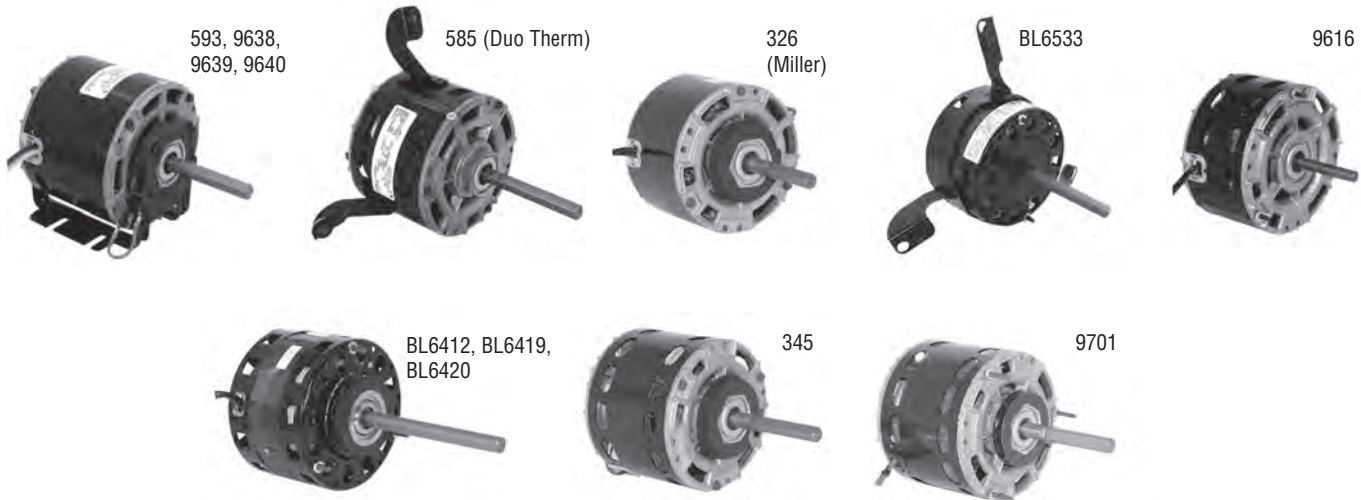
Continued from previous page

Furnace Blowers - Attic Ventilators - Air Handlers - Fan Coils

Features:

- Continuous Duty, Air Over • Shaded Pole • 60 Hz • Auto Protector • 40°C Ambient • 1/2" Flatted Shaft

OEM replacement for: Intertherm, Triangle Engineering, Butler Ventimatic, Tuttle & Bailey, Leigh Products, Nutone, Kool-O-Matic, Luxaire, Duotherm, Lennox, Coleman, Lear Siegler, Bryant, Janitrol, Westinghouse, American Standard, Miller, Johnson, Preway, etc.

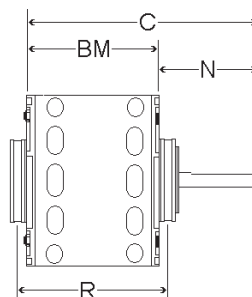


HP	RPM	Speeds	Volts	Amps	Stock Number	Bearings	Rotation	Dim. Ref.	Notes
1/10	1550	1	115	5.0	9639	Sleeve	CWLE	5	81
1/10	1550	1	230	2.9	9638	Sleeve	CWLE	5	81
1/7	1050	1	115	5.2	326	Sleeve	CCWLE	1	3,4,7
1/6	1050	1	115	7.0	345	Sleeve	CCWLE	2	7
1/6	1050	1	115	7.9	585	Sleeve	CCWLE	3	3
1/6	1050	1	115	5.5	BL6412	Sleeve	CCWLE	6	7,22,26
1/6~1/9	1050	2	115	5.6	BL6420	Sleeve	CCWLE	7	7,22,26
1/6~1/12~1/15	1050	3	115	5.3-2.8-2.2	BL6533	Sleeve	CCWLE	8	
1/6~1/8~1/10	1050	3	115	6.3-3.7-3.0	9701	Sleeve	CCWLE	9	7,26
1/6~1/8~1/10~1/12	1050	4	115	5.5	BL6419	Sleeve	CCWLE	7	7,22,26
1/6	1550	1	115	6.4	9640	Sleeve	CWLE	5	81
1/6	1550	1	115	7.1	9616	Sleeve	CCWLE	4	41
1/6	1550	1	208-230	3.2	593	Sleeve	CWLE	5	81

Notes:

3. Special OEM Replacement Motor (see pages 94-132)
4. Supplied with Lead & Plug Assembly
7. Resilient Mounting Rings Included
22. 3 Thru Bolts, 4.42 dia. Bolt Circle
26. Extended thru bolts, shaft end only
41. Extended thru bolts, lead end only
81. Includes base

Continues on next page



Approximate Dimensions

Ref.	BM	C	N	R
1	3.50	6.96	3.46	4.33
2	4.00	7.71	3.71	4.47
3	4.25	8.21	3.96	
4	4.50	6.80	2.30	
5	4.00	7.33	3.33	
6	3.84	7.50	3.66	4.58
7	3.84	8.25	4.41	4.40
8	3.84	8.74	4.62	
9	4.09	8.59	4.50	4.58

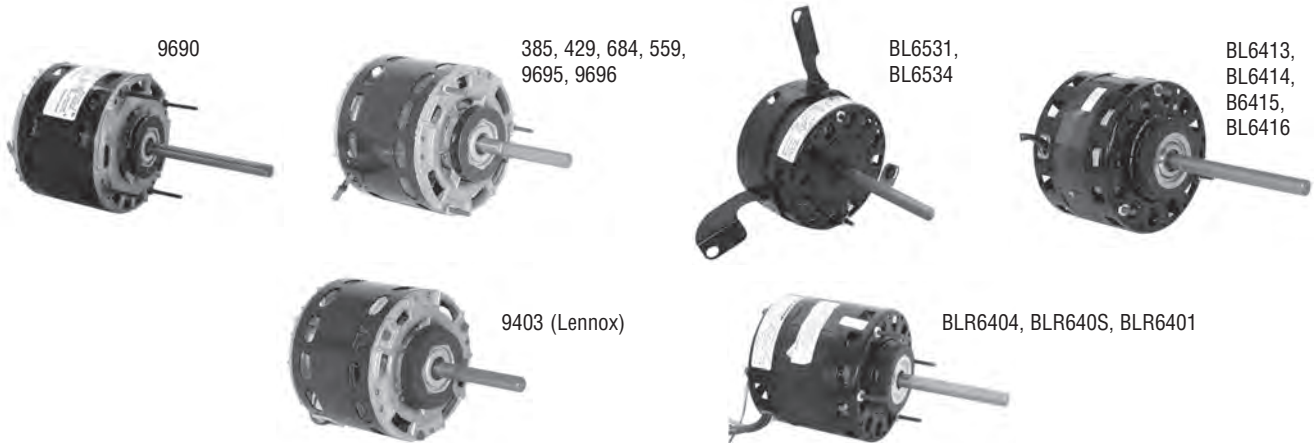
5" Diameter Single Shaft Open Fan/Blower Motors

Furnace Blowers - Attic Ventilators - Air Handlers - Fan Coils

Features:

- Continuous Duty, Air Over • Shaded Pole • 60 Hz • Auto Protector • 40°C Ambient
- 1/2" Flatted Shaft

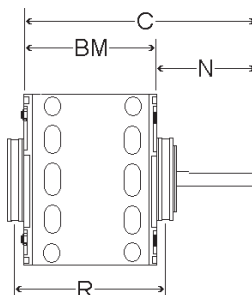
OEM replacement for: Intertherm, Triangle Engineering, Butler Ventimatic, Tuttle & Bailey, Leigh Products, Nutone, Kool-O-Matic, Luxaire, Duotherm, Lennox, Coleman, Lear Siegler, Bryant, Janitrol, Westinghouse, American Standard, Miller, Johnson, Preway, etc.



HP	RPM	Speeds	Volts	Amps	Stock Number	Bearings	Rotation	Dim. Ref.	Notes
1/5	1050	1	115	6.7	9690	Sleeve	CCWLE	9	7,26
1/5	1050	1	115	6.0	BL6413	Sleeve	CCWLE	6	7,22,26
1/5~1/8	1050	2	115	6.8-4.2	684	Sleeve	CCWLE	2	7,26,123
1/5~1/6~1/8	1050	3	115	6.8-5.3-4.2	385	Sleeve	CCWLE	3	7,26
1/5~1/6~1/8	1050	3	115	6.8-5.3-4.2	9695	Sleeve	CCWLE	10	7,26
1/5~1/6~1/8	1075	3	115	6.4-4.8-3.7	9403	Sleeve	CCWLE	5	3,7
1/5~1/8~1/10	1050	3	115	6.5-4.0-3.0	BL6414	Sleeve	CCWLE	7	7,22,26
1/5~1/7~1/9~1/12	1050	4	115	7.9-5.8-4.3-3.5	559	Sleeve	CCWLE	4	7,26
1/5~1/8~1/10~1/15	1050	4	115	7.1	BL6416	Sleeve	CCWLE	8	7,22,26
1/5~1/8~1/10	1050	3	208-230	3.2-2.1-1.5	B6415	Sleeve	CCWLE	7	7,22,26
1/5~1/6~1/8	1050	3	208-230	3.4-2.7-2.2	429	Sleeve	CCWLE	3	7,26
1/5~1/6~1/8	1050	3	208-230	3.4-2.7-2.2	9696	Sleeve	CCWLE	10	7,26
1/4	1050	1	115	8.9	BL6531	Sleeve	CCWLE	11	
1/4	1050	1	115	9.4	BLR640S	Sleeve	CCWLE	12	7,26,357
1/4	1050	1	115	12.3	BLR6401	Sleeve	CCWLE	13	7,26
1/4~1/6~1/8	1050	3	115	8.2-4.3-3.4	BL6534	Sleeve	CCWLE	11	
1/4~1/6~1/8	1050	3	115	8.2-4.2-3.4	BLR6404	Sleeve	CCWLE	12	7,26,357

Notes:

- 3. Special OEM Replacement Motor (see pages 94-132)
- 7. Resilient Mounting Rings Included
- 22. 3 Thru Bolts, 4.42" dia. Bolt Circle
- 26. Extended thru bolts, shaft end only
- 123. Stock 684 "BM" dimension was 4", motors built after 4/98 will have an "BM" dimension of 3-3/4"
- 357. 4 thru bolts, 4.42" dia. bolt circle



Approximate Dimensions

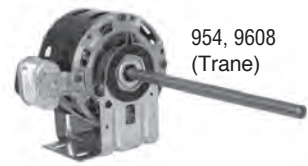
Ref.	BM	C	N	R
1	4.00	7.75	3.75	
2	3.75	7.59	3.84	4.22
3	4.00	7.84	3.84	4.56
4	4.00	8.08	4.08	4.56
5	4.00	6.97	2.97	4.56
6	3.34	8.88	5.54	4.08
7	3.84	9.38	5.54	4.58
8	3.84	6.50	2.66	4.58
9	4.00	7.75	3.75	4.56
10	5.00	10.50	5.50	5.56
11	4.09	8.59	4.50	
12	4.34	8.84	4.50	5.08
13	5.00	8.13	3.13	5.56

5" Diameter Single Shaft Open Fan/Blower Motors

Furnace Blowers - Air Handlers - Fan Coils - Air Conditioning

Features:

- Auto Protector
- Continuous Air Over
- Open Construction
- Permanent Split Capacitor
- 1/2" Dia. Flatted Shaft
- 42 Frame
- 60 Hz
- Sleeve Bearing



OEM Replacements for: Reznor, Luxaire, Armstrong, Payne, Day & Night, Bryant, Bohn, Intertherm, Kodair, Dole, Coleman, Janitrol, Steward Warner, International Heater Etc.



HP	RPM	Speeds	Volts	Amps	Stock Number	Rotation	Capacitor	Dim. Ref.	Notes
1/30~1/150 ~1/200	1100	3	115	.6-.2-.2	954	CCWSE	Included	1	3,81
1/30~1/150 ~1/200	1100	3	115	.6-.2-.2	9643	REV	5MFD-370V	5	7,26
1/20~1/35	1050	2	115	.94-.54	485	REV	4MFD-370V	2	3
1/20~1/75~1/120	1100	3	115	.6-.3-.23	9608	REV	Included	3	3,81
1/10~1/15~1/30	1075	3	115	1.6-.84-.53	9709	REV	5MFD-370V	6	7,27
1/10~1/15~1/25~1/35	1075	4	115	1.7-1.3-.85-.62	669	REV	Included	4	7
1/10~1/12~1/15	1075	3	230	.7-.48-.36	9711	REV	5MFD-370V	6	7,27
1/10~1/15~1/30	1625	3	115	2.1-1.0-.63	9708	REV	5MFD-370V	6	7,27
1/10~1/20~1/30	1625	3	208-230	.84-.37-.25	9710	REV	5MFD-370V	6	6,7,27

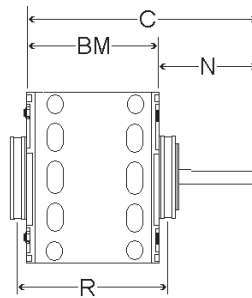
Notes:

3. Special OEM Replacement Motor (see pages 94-132)
6. 60/50 HZ
7. Resilient mounting rings included
26. Extended thru bolts, shaft end
27. Extended thru bolts, both ends
81. Includes base

Continues on next page

Approximate Dimensions

Ref.	BM	C	N	R
1	4.00	12.50	8.50	
2	3.25	5.96	2.71	
3	3.25	13.10	9.85	
4	3.50	12.08	8.58	4.06
5	4.00	12.50	8.50	4.47
6	4.25	10.00	5.75	4.81

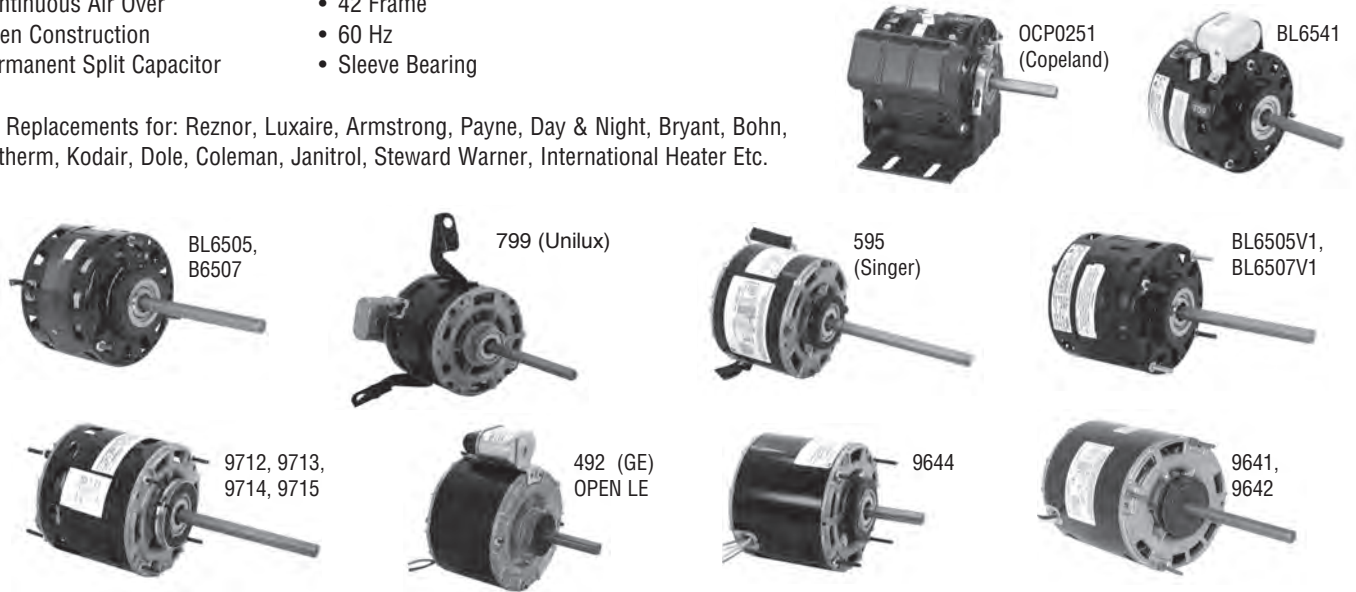


Furnaces - Air Handlers - Fan Coils - Air Conditioning

Features:

- Auto Protector
- Continuous Air Over
- Open Construction
- Permanent Split Capacitor
- 1/2" Dia. Flatted Shaft
- 42 Frame
- 60 Hz
- Sleeve Bearing

OEM Replacements for: Reznor, Luxaire, Armstrong, Payne, Day & Night, Bryant, Bohn, Intertherm, Kodair, Dole, Coleman, Janitrol, Steward Warner, International Heater Etc.

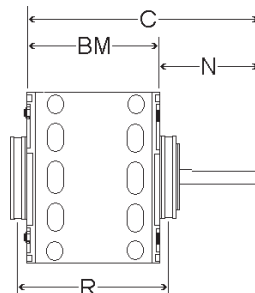


HP	RPM	Speeds	Volts	Amps	Stock Number	Rotation	Capacitor	Dim. Ref.	Notes
1/8	1075	1	115	2.7	9641	REV	5MFD-370V	1	7,9,26
1/8~1/12~1/20	1075	3	115	2.2-1.2-.93	9713	REV	5MFD-370V	6	7,27
1/8~1/12~1/14	1075	3	115	.25-1.6-1.3	9644	REV	5MFD-370V	1	7,9,26
1/8~1/10~1/15~1/20	1075	4	115	2.2	BL6541	CCWLE	Included	3	7
1/8~1/10~1/15~1/20~1/30	1000	5	115	2.6-2.1-1.8-1.0-0.7	799	CWSE	Included	2	3
1/8~1/12~1/14	1075	3	277	.83-.59-.49	595	REV	5MFD-370V	1	3,7
1/8~1/15~1/40	1625	3	115	1.9-.94-.56	9712	REV	5MFD-370V	6	7,27
1/8	1550	1	230	1.1	492	CWSE	Included	4	3
1/6~1/8~1/12	1075	3	115	3.1-2.0-1.4	9715	REV	5MFD-370V	7	7,27
1/6~1/8~1/12	1625	3	115	2.4-1.7-1.1	9714	REV	5MFD-370V	7	7,27
1/6	1625	1	230	1.5	OCP0251	CCWSE	Included	9	3,150
1/5	1075	1	115	3.3	9642	REV	7.5MFD-370V	8	7,9,26
1/5~1/8~1/10	1075	3	115	3.2-2.1-1.7	BL6505	REV	7.5MFD-370V	5	7,22,26
1/5~1/8~1/10	1075	3	115	3.2-2.1-1.7	BL6505V1	REV	7.5MFD-370V	5	7,26
1/5~1/6~1/10	1075	3	230	1.3-.9-.7	B6507	REV	7.5MFD-370V	5	7,22,26
1/5~1/6~1/10	1075	3	230	1.3-0.9-0.7	B6507V1	REV	7.5MFD-370V	5	7,26,357

Notes:

- 3. Special OEM Replacement Motor (see pages 94-132)
- 7. Resilient mounting rings included
- 9. Reversing plug
- 22. 3 Thru bolts, 4.42 dia. bolt circle
- 26. Extended thru bolts, shaft end
- 27. Extended thru bolts, both ends
- 150. Rated 50/60 HZ
- 357. 4 thru bolts, 4.42 dia. bolt circle

Continues on next page



Approximate Dimensions

Ref.	BM	C	N	R
1	3.75	10.21	6.46	4.22
2	3.75	8.83	5.08	
3	3.59	7.47	3.88	4.33
4	3.50	6.46	2.96	
5	3.84	9.38	5.54	4.38
6	4.50	10.25	5.75	5.06
7	4.75	10.50	5.75	5.31
8	4.25	10.25	6.00	4.72
9	3.84	6.88	3.04	

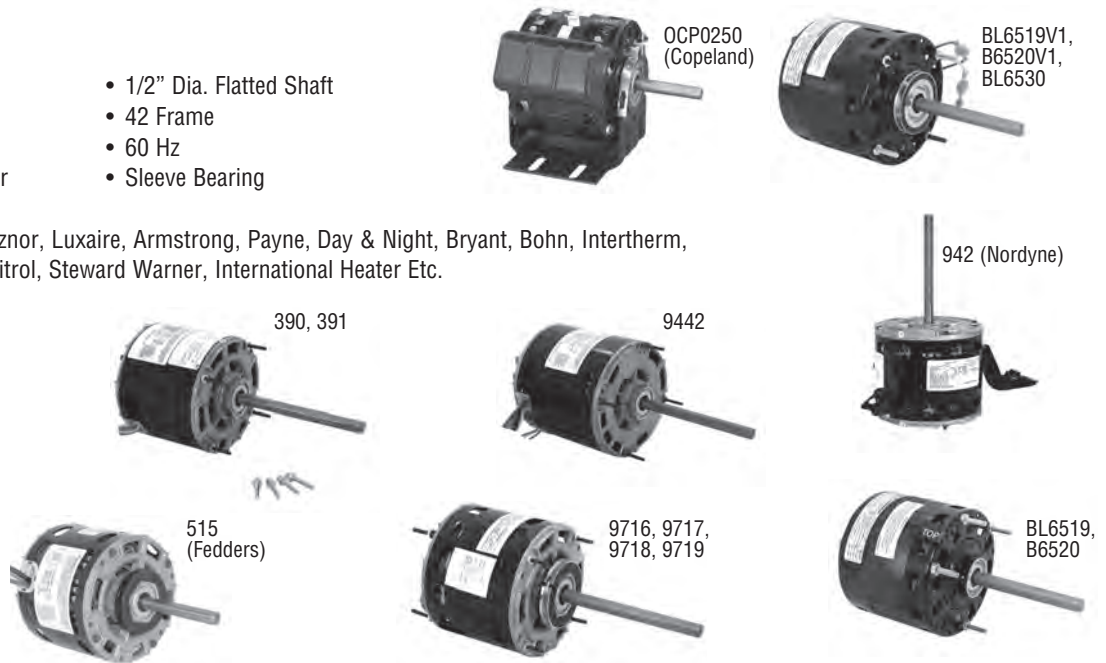
5" Diameter Single Shaft Open Fan/Blower Motors

Furnaces - Air Handlers - Fan Coils - Air Conditioning

Features:

- Auto Protector
- Continuous Air Over
- Open Construction
- Permanent Split Capacitor
- 1/2" Dia. Flatted Shaft
- 42 Frame
- 60 Hz
- Sleeve Bearing

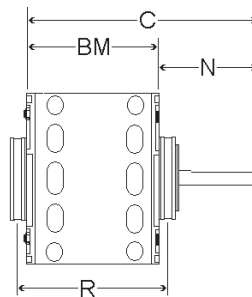
OEM Replacements for: Reznor, Luxaire, Armstrong, Payne, Day & Night, Bryant, Bohn, Intertherm, Kodair, Dole, Coleman, Janitrol, Steward Warner, International Heater Etc.



HP	RPM	Speeds	Volts	Amps	Stock Number	Rotation	Capacitor	Dim. Ref.	Notes
1/4	1050	1	115	6.2	942	CWSE	7.5MFD-370V	2	3
1/4~1/5~1/7	1050	3	115	3.7-3.1-2.4	390	REV	7.5MFD-370V	1	9,26
1/4~1/5~1/7	1075	3	115	4.8-3.1-2.2	9717	REV	7.5MFD-370V	6	7,27,358
1/4~1/5~1/6	1075	3	115	4.7-3.7-3.1	BL6519V1	REV	5MFD-370V	5	7,26,357
1/4~1/5~1/6	1075	3	115	4.7	BL6519	REV	5MFD-370V	3	22
1/4	1100	1	208-230	1.5	515	CWSE	5MFD-370V	4	3,
1/4~1/5~1/7	1050	3	208-230	1.5-1.2-1.0	391	REV	7.5MFD-370V	1	9,26
1/4~1/5~1/6	1075	3	208-230	2.0-1.4-.9	9719	REV	5MFD-370V	7	7,27
1/4~1/5~1/6	1075	3	230	2.0	B6520	REV	5MFD-370V	3	22
1/4~1/5~1/6	1075	3	230	2.0-1.2-.9	B6520V1	REV	5MFD-370V	5	7,26,358
1/4~1/5~1/6~1/8	1050	4	277	1.5-1.2-1.0-0.8	9442	REV	7.5MFD-370V	1	9,26
1/4~1/6~1/10	1625	3	115	4.0-2.3-1.5	9716	REV	7.5MFD-370V	6	7,27,358
1/4~1/6~1/10	1625	3	208-230	1.8-.98-.64	9718	REV	5MFD-370V	6	7,27,358
1/4	1625	1	230	1.5	OCP0250	CCWSE	Included	8	3,150
1/3~1/4~1/6	1075	3	115	6.3-3.6-2.5	BL6530	REV	15MFD-370V	5	7,26

Notes:

- 3. Special OEM Replacement Motor (see pages 94-132)
- 7. Resilient Mounting rings Included
- 9. Reversing plug
- 22. 3 Thru bolts, 4.42 dia. bolt circle
- 26. Extended thru bolts, shaft end
- 27. Extended thru bolts, both ends
- 150. Rated 50/60 HZ
- 357. 4 thru bolts, 4.42 dia. bolt circle
- 358. 4 thru bolts, 4.62 dia. bolt circle



Approximate Dimensions

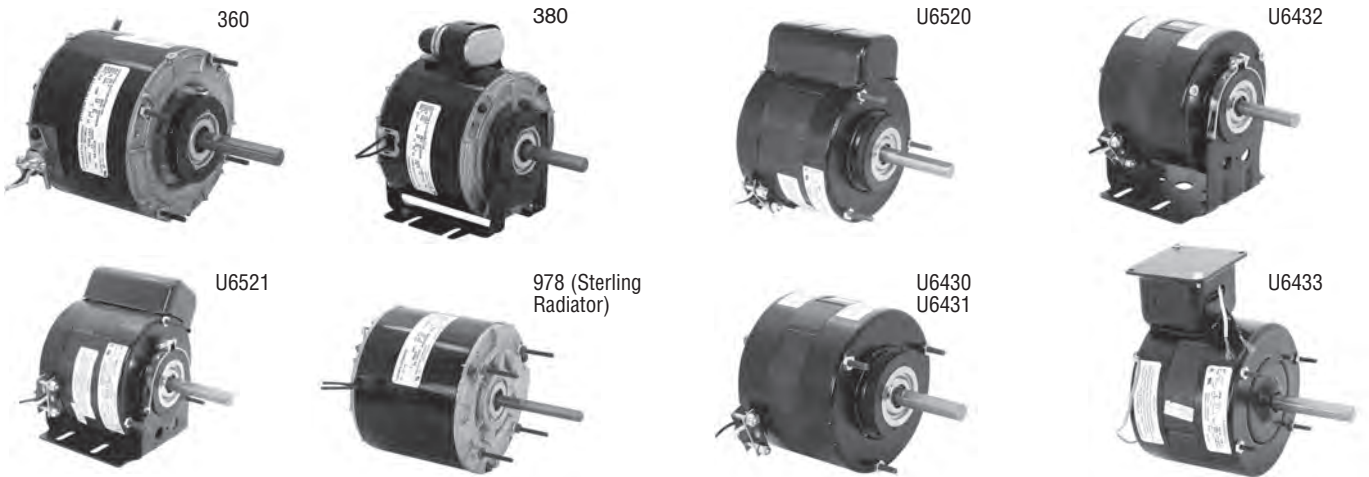
Ref.	BM	C	N	R
1	4.25	10.25	6.00	
2	4.00	7.75	3.75	
3	4.09	8.75	4.66	
4	4.25	8.21	3.96	4.83
5	4.09	8.75	4.66	4.83
6	5.25	11.00	5.75	5.81
7	4.75	10.50	5.75	5.31
8	3.84	6.88	3.04	

5" Diameter Totally Enclosed Fan/Blower Motors

Unit Heater

Features:

- Continuous Duty, Air Over • PSC and Shaded Pole • 60 Hz • Auto Protector • Sleeve Bearing • 40°C Ambient • 42 Frame • 1/2" Dia. Flatted Shaft



PSC

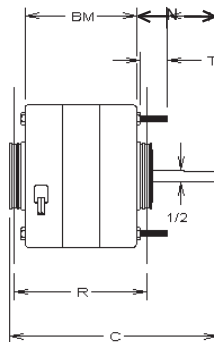
HP	RPM	Speeds	Volts	Amps	Stock Number	Rotation	Capacitor	Dim. Ref.	Notes
1/8	1075	1	115	2.6	U6520	REV	Included	1	22,89
1/8	1075	1	115	2.6	U6521	REV	Included	1	22,89,294
1/6	1075	1	115	2.6	360	CWSE	5MFD-370V	2	7,358
1/6	1075	1	115	2.8	380	CWSE	Included	3	294

SHADED POLE

HP	RPM	Speeds	Volts	Amps	Stock Number	Rotation	Capacitor	Dim. Ref.	Notes
1/20	1050	1	115	1.7	978	CWSE	SHADED POLE	4	3,47,359
1/15	1050	1	115	3.3	U6430	CWSE	SHADED POLE	5	22,281
1/15	1050	1	115	3.3	U6432	CWSE	SHADED POLE	5	286
1/15	1050	1	115	3.3	U6433	CWSE	SHADED POLE	7	
1/8	1050	1	115	4.5	U6431	CWSE	SHADED POLE	6	22,281

Notes:

- 3. Special OEM Replacement Motor (see pages 94-132)
- 7. Resilient mounting rings Included
- 22. 3 Thru Bolts on a 4.42 dia. bolt circle
- 47. 3/8" flatted shaft
- 89. 60" leads
- 281. 36" leads
- 286. 3.5" shaft height
- 294. 2.6" shaft height
- 358. 4 thru bolts on a 4.62 dia. bolt circle
- 359. 4 studs with spacer and nut on a 3.87 diameter bolt circle



Approximate Dimensions

Ref.	BM	R	C	N	T
1	3.84	4.58	7.30	2.92	.79
2	4.00	4.56	7.43	2.96	.71
3	4.00		7.18	2.71	
4	4.25		7.25	3.00	1.02
5	3.59	4.33	6.79	2.67	.5
6	4.09	4.83	7.89	3.25	.5
7	3.59		6.72	2.81	.5

5" Diameter MultiFit® Condenser Fan Motors

Replaces Hundreds of 1/4 - 1/12 HP Applications

Features:

- All angle mount
- Ball bearing
- Class B insulation
- Double sealed ball bearings
- Energy efficient PSC design \$
- Reversing plug
- Single speed
- 60° C ambient
- 60 HZ
- 36" leads
- 1/2" Dia. flatted shaf
- Totally enclosed
- Multi-horsepower, one simple connection
- Multi-mounting system

One simple connection eliminates having to select various speeds or change capacitor sizes.



HP	RPM	Speeds	Volts	Amps	Stock Number	Capacitor	Dim. Ref.	Notes
1/8, 1/10, 1/12	1075	1	208-230	0.9	9722	5MFD/370V	1	\$
1/4, 1/5, 1/6	1075	1	208-230	2.0	9723	7.5MFD/370V	2	\$
1/4, 1/5, 1/6	1625	1	208-230	1.6	9724	5MFD/370V	2	\$

3-in-1 Design

Approximate Speeds and Amps in Application

Stock Number 9722			Stock Number 9723			Stock Number 9724 NEW!		
HP	Approximate RPM	Approximate Amps	HP	Approximate RPM	Approximate Amps	HP	Approximate RPM	Approximate Amps
1/8	1075	0.9	1/4	1075	2.0	1/4	1625	1.6
1/10	1135	0.6	1/5	1145	1.2	1/5	1715	1.0
1/12	1155	0.5	1/6	1165	1.0	1/6	1759	0.7

MultiFit Multi-Mounting System Replaces:

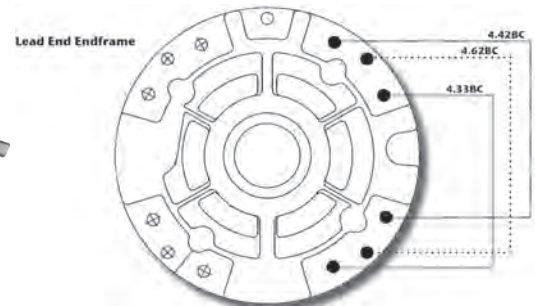
4.42BC
Century/Westinghouse Design
Emerson 42-Frame (5" dia.)

4.62BC
GE 42-Frame (5" dia.)
Fasco 42-Frame (5" dia.)

4.33BC
Emerson Clam-Shell
GE Cap-Can
Century/Universal Electric Design

Approximate Dimensions

Ref.	BM	C	N	T
1	4.0	7.5	3.0	.50
2	4.5	7.5	3.0	.50



Stock No. 2118 MultiFit® Adapter Plate

Adapts to a 48-Frame 5.15BC
Or 42-Frame 3-Point 4.42BC
(Available Separately)

